

Zactomodels

www.Zactomodels.com

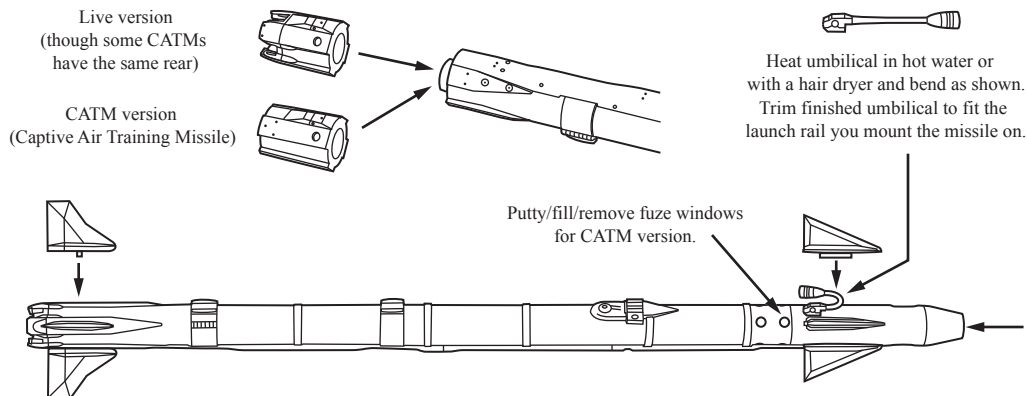
1/32 AIM-9X Sidewinder missile

© 2011 Zactomodels

Original pattern created by Alexander Rogal

Test fit parts before gluing! Wash parts with warm soapy water before starting. Use Cyano-Acrylate (superglue) to glue parts. Use hot water if you need to fix any warps. Lightly sand and prime resin parts before painting. Have fun! Check out WWW.Aircraftresourcecenter.com for tips on building models. Learn, teach and share pictures of your models at ARCs Discussion forum.

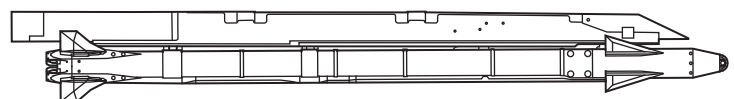
Install exhaust before attaching fins. Be sure to carefully align the fins. I would suggest attaching the rear fins first and using them as an alignment guide.



Beware the carpet monster!
These lenses are specially designed
to be impossible to handle.
Take all necessary precautions before
removing them from the bag or you will
drop and lose them!
I suggest precleaning your work area,
spreading a sheet on the floor as well as
one on your lap.
Pick the parts up with blue-tak not tweezers.
I suggest using white glue or epoxy to glue
them rather than superglue so that you have
time to position them exactly

You might want to consider drilling small holes between the mounting brackets and on the pylons and inserting a piece of wire to help attach the missiles to your model. If you are careful and keep the holes tight you can make the missiles removable.

*Thanks to Jim Rotramel for his assistance with references.
Custom made seeker head lenses provided by MV Products.*



AIM-9X mounted on LAU-127C/A