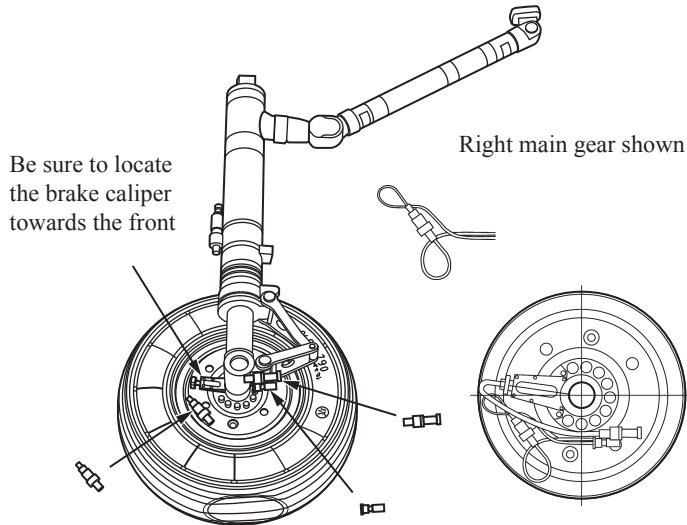


Test fit parts before gluing! Wash parts with warm soapy water before starting. Use Cyano-Acrylate (superglue) to glue parts. Use hot water if you need to fix any warps. Lightly sand and prime resin parts before painting. Have fun! Check out WWW.Aircraftresourcecenter.com for tips on building models. Learn, teach and share pictures of your models at ARCs Discussion forum.

The hole on the main wheels will need to be drilled deeper to fit the axle.

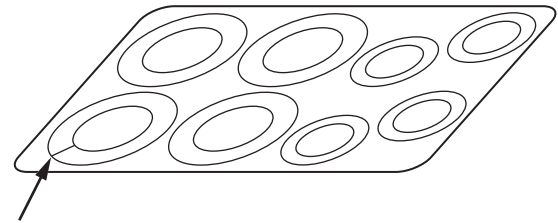


Fittings are included if you choose to add hydraulic plumbing and brake lines. Use electrical wire or solder for the lines.

These wheels are made to fit the Trumpeter MiG-29 kit and will need to be modified to fit the Revell kit or replace the struts on the Revell kit with those from the Trumpeter or aftermarket parts.

Wheel masks are included to simplify painting.

First paint the tires a rubber color then apply the masks. Mask additional areas using liquid masker or tape then spray the wheel hubs.



Note that the larger masks for the main wheels are slightly too big! This was a mistake on my part but I've discovered it is actually easier to use them because of this!

Apply one edge on wheel, cut the opposite edge with scissors and apply, slightly overlapping the ends.