

Test fit parts before gluing! Wash parts with warm soapy water before starting. Use Cyano-Acrylate (superglue) to glue parts. Use hot water if you need to fix any warps. Lightly sand and prime resin parts before painting. Have fun!
Check out WWW.Aircraftresourcecenter.com for tips on building models. Learn, teach and share pictures of your models at ARCs Discussion forum.

First step is to fill the existing mounting holes and remove the existing hump.

The illustration is drawn to scale and can be cut out and used as a template to locate the new holes and humps.

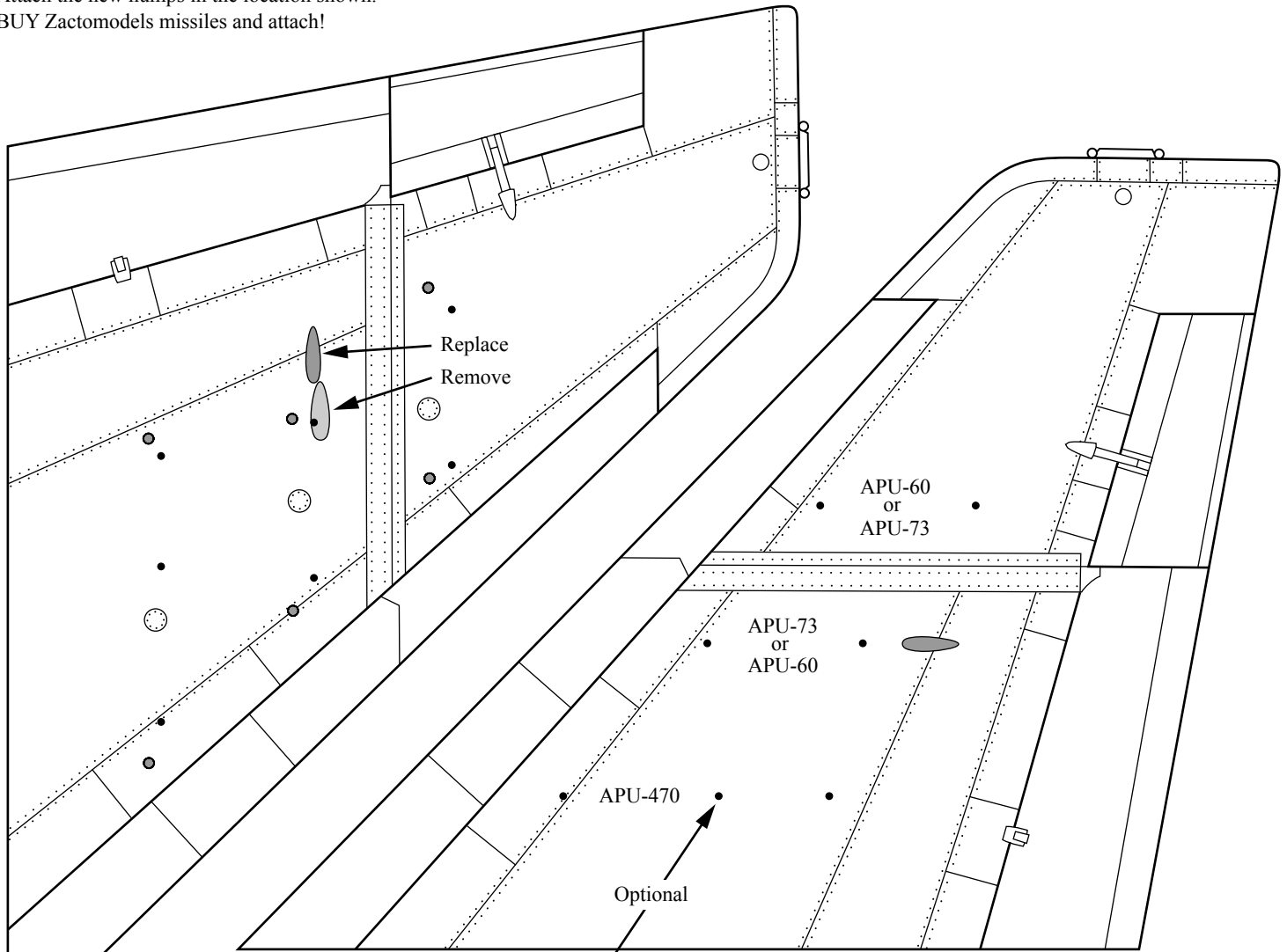
Drill the new holes in the locations shown using a #61 bit (.039" or 1mm).

Attach the new humps in the location shown.

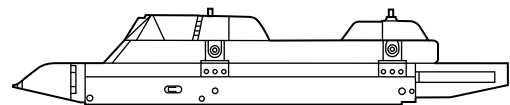
BUY Zactomodels missiles and attach!

● Fill / putty

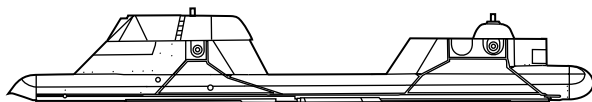
● Drill (.039" / 1mm)



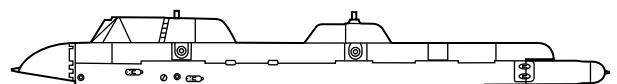
This stub-pylon is optional.
It is sometimes carried on certain aircraft.
Don't drill this hole if you aren't using it.



APU-60



APU-470



APU-73

The MiG-29 is capable of carrying several different combinations of missiles.
Check your references for the particular plane you are building.
The APU-60 and APU-73 can be purchased separately.