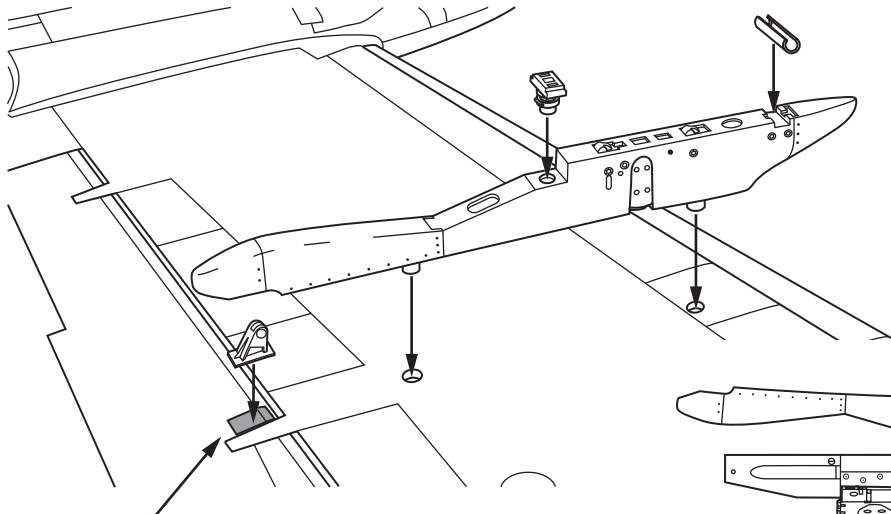
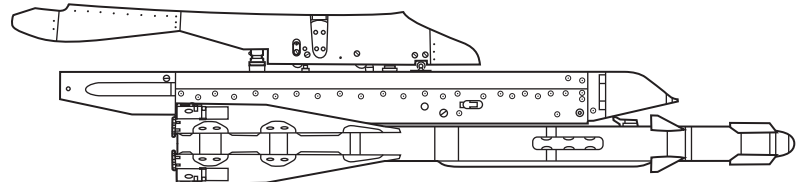


Test fit parts before gluing! Wash parts with warm soapy water before starting. Use Cyano-Acrylate (superglue) to glue parts.
Use hot water if you need to fix any warps. Lightly sand and prime resin parts before painting. Have fun!
Check out WWW.Aircraftresourcecenter.com for tips on building models. Learn, teach and share pictures of your models at ARCs Discussion forum.



Attach bracket to aileron.
Trim length to fit into pylon.
Length will vary depending on whether you choose to
attach aileron in level or moved position.



PD-62-8 pylon shown with APU-60-1 launch rail and Aphid missile
(Both sold separately)