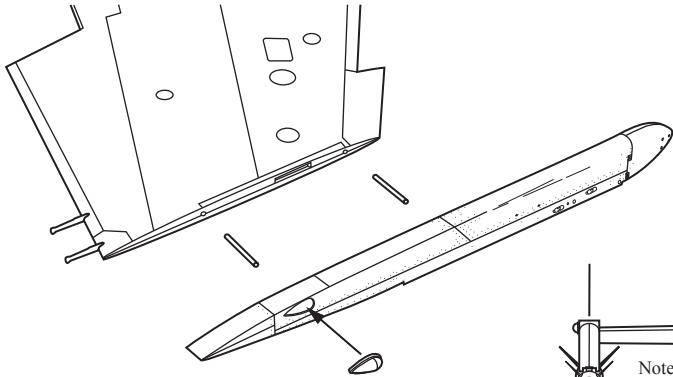
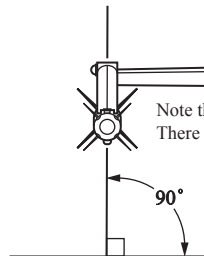


Test fit parts before gluing! Wash parts with warm soapy water before starting. Use Cyano-Acrylate (superglue) to glue parts.
Use hot water if you need to fix any warps. Lightly sand and prime resin parts before painting. Have fun!
Check out WWW.Aircraftresourcecenter.com for tips on building models. Learn, teach and share pictures of your models at ARCs Discussion forum.

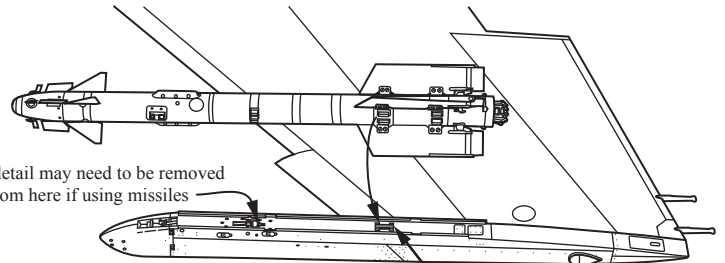
Cut provided wire into four lengths and file ends.
Notch upper wing half to allow pins to fit.
Note location of notches in relation to panel lines.



Be sure pylon is perpendicular to ground when attached.
This may require you to bend the attachment pins.
Test fit before gluing!



Align mounting bracket on Archer missile with bracket on pylon rail as shown.



Carefully remove this detail if you are displaying your model without missiles mounted on the pylons.

Note that inner missile fin almost touches wing.
There should be a very small gap.

