

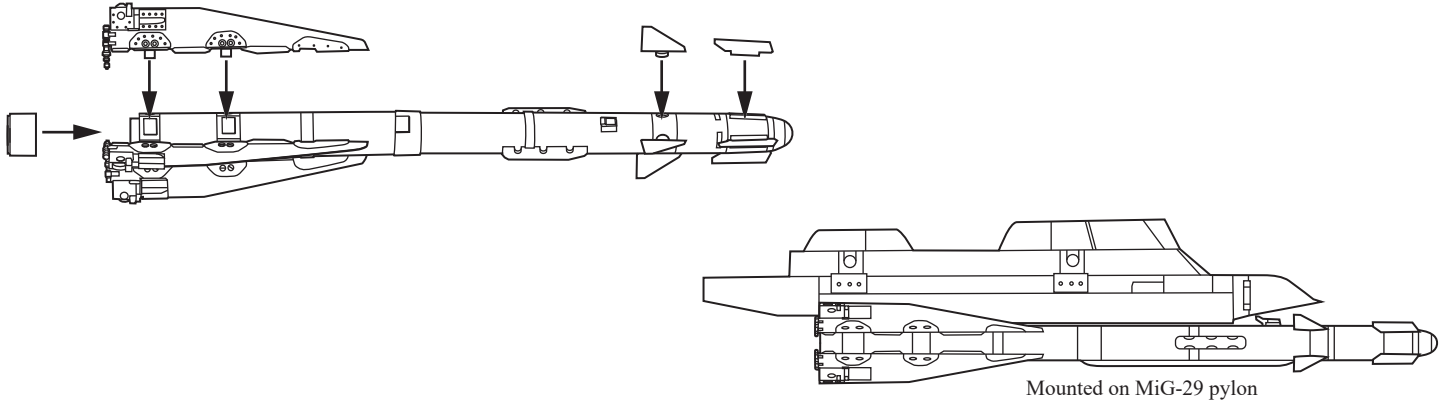
Test fit parts before gluing! Wash parts with warm soapy water before starting. Use Cyano-Acrylate (superglue) to glue parts.

Use hot water if you need to fix any warps. Lightly sand and prime resin parts before painting. Have fun!

Check out [WWW.Aircraftresourcecenter.com](http://WWW.Aircraftresourcecenter.com) for tips on building models. Learn, teach and share pictures of your models at ARCs Discussion forum.

Install exhaust before attaching fins.

Be sure to carefully align the fins. I would suggest attaching the rear fins first and using them as an alignment guide.



You might want to consider drilling small holes in the mounting pads and pylons and inserting a piece of wire to help attach the missiles to your model. If you are careful and keep the holes tight you can make the missiles removable.

Depending on which model kit you are installing these on, decals might be included with that kit. I would highly recommend using Begemot decals. They have full stencil sets available for the MiG-21 and are soon to release a set for the MiG-29. Both sets include decals for a variety of missiles.