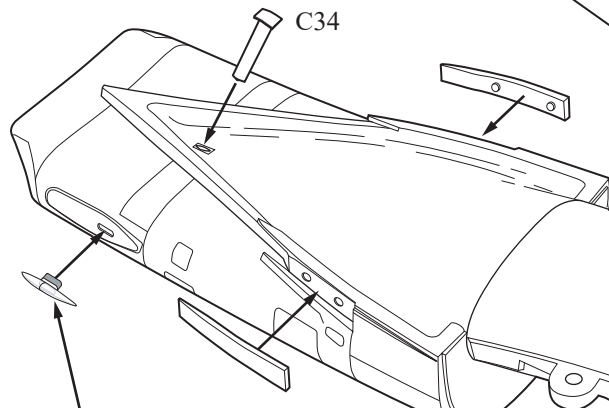
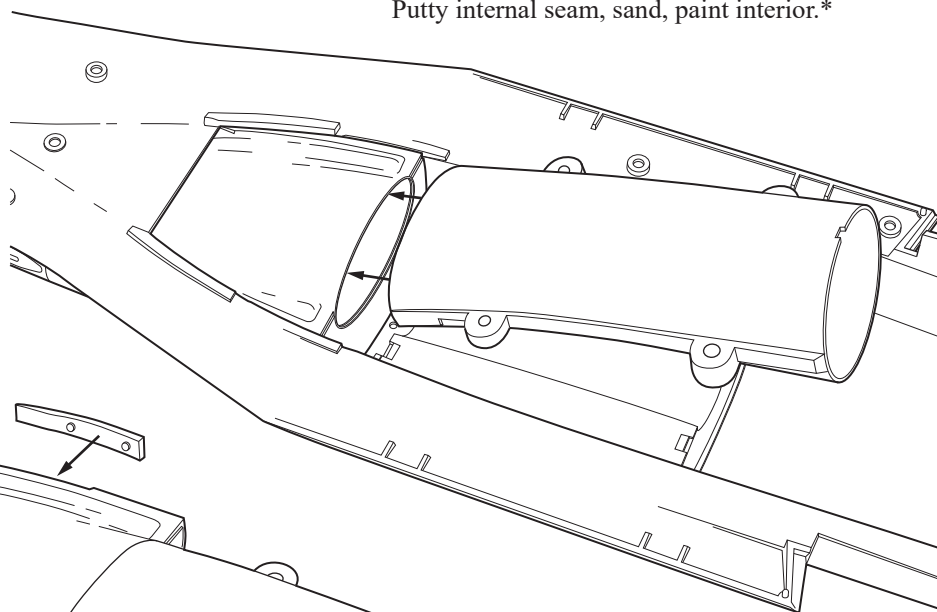
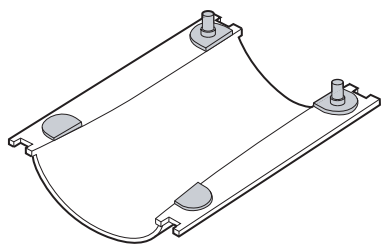


Carefully test fit parts before gluing or painting! Wash parts with warm soapy water before starting.
Avoid breathing dust created while sanding. Use Cyano-Acrylate (superglue) to glue parts.
Use care, the thin parts are brittle. Use hot water if you need to fix any warps. Have fun!

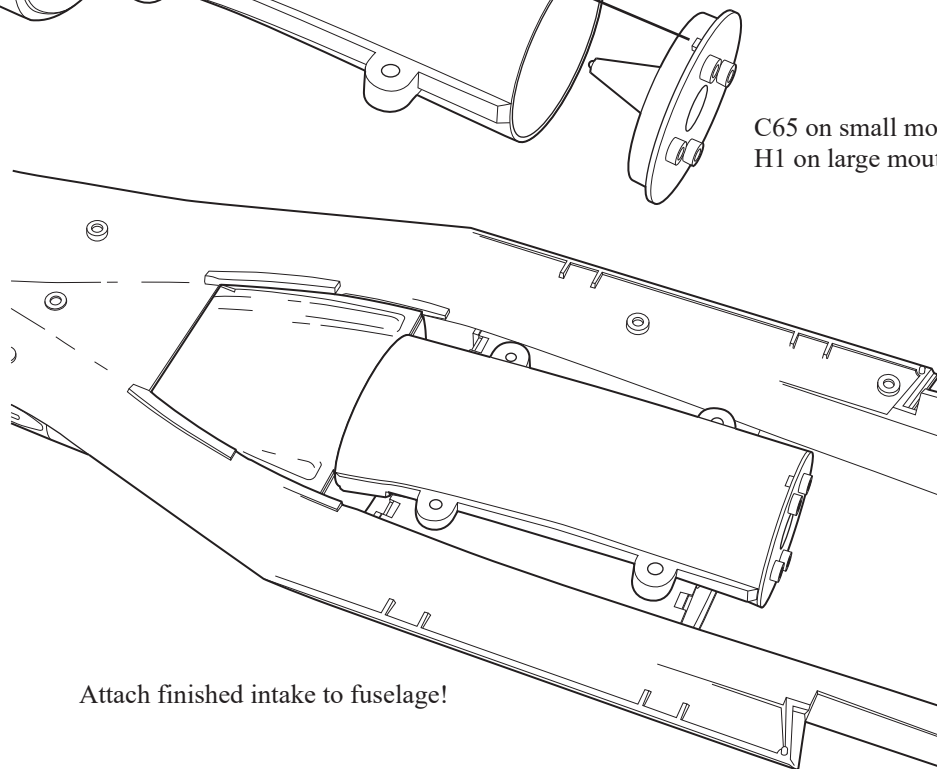
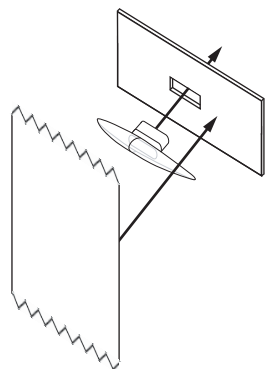
Remove raised pads on kit part C8.
Assemble kit gear well and attach
to lower fuselage A2.

Fit new intake, do not glue. Glue rear tube to intake part.
Remove assembly from fuselage.
Putty internal seam, sand, paint interior.*



Shorten tab on G10.
Attach to intake.

To shorten the tab:
Cut a hole in a piece of thin
plastic. Tape G10 to plastic
and sand the rear until the
tab is the correct length.



C65 on small mouth
H1 on large mouth

Attach finished intake to fuselage!

*Check out the tutorial linked on my website for tips on puttying and painting the insides of the intake.