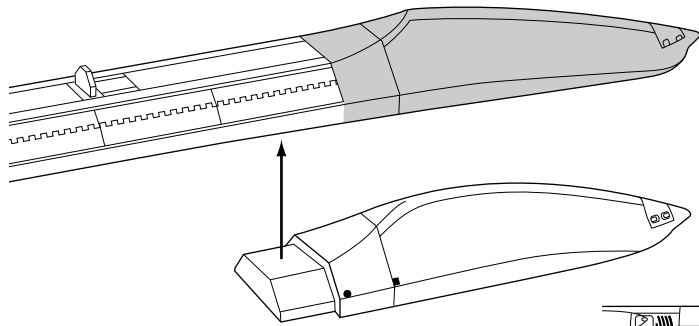


Carefully test fit parts before gluing or painting! Wash parts with warm soapy water before starting.
Avoid breathing dust created while sanding. Use Cyano-Acrylate (superglue) or epoxy to glue parts.



Position the corrected forward pallets as shown below.
Trumpeter had them in the wrong location (dashed line).
The rear pallets are located in the correct position.

Cut away forward part of kit pallets.
Remove excess plastic from insides
where ejector pins are located.
Test fit remaining pallet piece and resin
part on fuselage. Adjust fit if needed
before gluing the resin to the pallet.

