

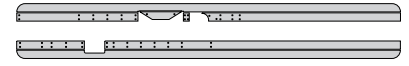
Carefully test fit parts before gluing or painting! Wash parts with warm soapy water before starting.
Avoid breathing dust created while sanding. Use Cyano-Acrylate (superglue) or epoxy to glue parts.
Use care, the thin parts are brittle. Use hot water if you need to fix any warps. Have fun!

The HB kit needs the wings thinned to fit.
This can be done by removing material from inner surfaces rather than sanding outer surfaces.

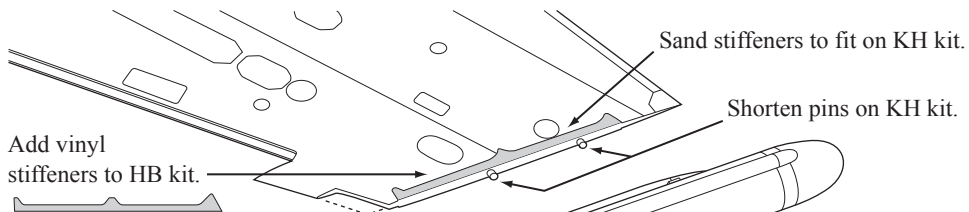
Remove tab from HB kit.



Anti-flutter fences were added beginning in mid 2015 and on all Khibiny by mid 2016.



Fold etch 90° and attach as shown.

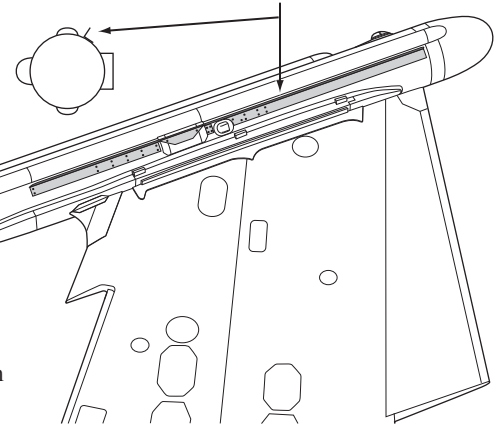


Sand stiffeners to fit on KH kit.

Shorten pins on KH kit.

Add vinyl stiffeners to HB kit.

Remove this area to fit on HB kit.



Updated nosecone began to appear mid 2018.

Remove material shown for updated nosecone.